

Operation manual
Bullystripper Roll with T-handle



Operation manual / Spare parts list

Bullystripper Roll with T-handle (Art. 17.14575)



The operation manual identify important notes on safety and damage prevention using the following symbols:

Please comply with these instructions to avoid any damages and injuries. They point to a possible dangerous situation. The nonobservance can lead to the death, to heavy injuries and to material damages.

No liability for the damages which originate from the use of these operating instructions. Changes reserve.

Roll GmbH

Flooring technology
Albstr. 12
D-72820 Sonnenbühl
Germany

Phone: +49(0)7128-92800
Fax: +49(0)7128-928011
E-Mail: info@roll-gmbh.de
<http://www.roll-gmbh.de>

State: February 2011



Index

1	Priliminary notes	5
1.1	General notes for the operator	6
1.2	Description of the Bullystripper	6
1.3	Storage	7
1.4	Guarantee and liability	7
1.5	Conformity	7
1.6	Description	8
1.7	Accessories	9
2	Safety notes	9
2.1	General information	9
2.2	Designated use	9
2.3	Dangerousness of the machine	10
2.4	Basic safety notes	10
2.5	Prerequisites for the user	10
2.6	Inspection in accordance with VBG 4 § 5 (1) Nr. 2	11
2.7	Safety notes	11
2.7.1	Safety notes electrical connection	11
2.7.2	Safety notes noise	12
2.7.3	Safety notes operation	12
3	General instructions for the user	13
3.1	Scope of delivery	13
3.2	Dimensions/Weight/Technical details	14
4	Assembly	14
5	Transport	14
6	Operation	15
6.1	Preparation of the machine	15
6.2	Preparation of the subsurface	15
6.3	Starting the machine	15
6.4	Tips	16
7	Maintenance and repair	16
7.1	General information	16
7.2	Cleaning and maintenance	17
7.3	Changing the blade	17
7.4	Safety notes maintenance	18



E	Annex E: Spare parts list Bullystripper „Classic“	19
E.1	Ordering information for spare parts	19
E.2	Ordering example	19
E.3	Ordering address	19
	Exploded drawing – Motor	20
	Exploded drawing – Attached parts	21
	Spare parts list – Attached parts	22
	Exploded drawing – Handle	23
	Spare parts list – Handle	23
	Exploded drawing – Handle for handstripper	24
	Spare parts list – Handle for handstripper	24
CE	Declaration of conformity	25



1 Preliminary notes

Dear customer,

you have decided for the Bullystripper Roll with T-handle, the correct choice for quality and performance.

This operation manual contains important notes for the operation of your machine.



Note

Please read the operation manual carefully, in particular the safety notes and ensure that all operators read this operation manual prior to operate the machine.

Adherence to the safety notes not only helps to protect against potential dangers for health and personal safety but also prevents an improper utilization of the machine.

Pay attention and adhere to all warning labels on the machine. Replace any missing or damaged labels immediately.

It is too late if you do it while working!

Never allow anybody without sufficient skills and knowledge to operate the machine.

This will allow you to operate the machine without running any danger and encountering any troubles. It will help you to avoid any unnecessary delays caused by repairs, and will pave the ground for an optimum utilization and operation of this equipment.

The operation manual identify important notes on safety and damage prevention using the following symbols:



Warning!

Designates a potentially hazardous situation.
Please note that failure could cause death or injuries.



Attention!

Designates a dangerous situation.
Please note that failure could cause damages at products or others.



Note!

Important notes on the operation, intended for an optimum utilization of the equipment and other useful information.

*The operation manual is intended to **accompany the machine**.*

The operation manual has been prepared by the manufacturer on the basis of his knowledge and experience with respect to design, production and operation.

Specific instructions of the user may be added to these operation manual (for example to refer to surveillance and reporting regulations, inter-company maintenance and inspection schedules. The inspection intervals are in accordance with VBG 4 §§ 3 and 5 und § 20 GefStoffV (Regulations of hazardous materials)).

1.1 **General notes for the operator**

As a operator you are responsible for:

- The proper and normal operation by trained persons only,
- The adherence to the safety regulations, the safety notes, and the provisions referring to working safety and accident prevention,
- The technical instruction of the operation personnel on the equipment and their reading of the operation instructions of the equipment.

1.2 **Description of the Bullystripper “Classic”**

The Bullystripper is used for removing pasted flooring coverings like PVC,-CV-, lino and carpeting floorings.

The blade is eccentric propelled, thus the blade peels the flooring covering from the concrete.

1.3 Storage



Caution!

Please store the machine dry.
Please store the machine without blade to avoid injuries!

1.4 Guarantee and liability

ROLL ensures a guarantee and liability are in accordance with our currently valid general business and sales conditions. The guarantee runs out after 12 months from purchase date.

We reject any guarantee claims for tools which are not in their original condition, or for altered or changed tools or which are not used in accordance to the intended use.

We guarantee free maintenance of this machine when getting carriage paid, in case of damages due to manufacturing defects or material defects; provided that the machine is correct used and not changed or altered. Wearing parts are not under warranty

The guarantee claim expires:

- In case of damages caused by improper operation and utilization other than intended use.
- In case of incorrect assembly, intervention of unauthorized persons or utilization of accessories or replacement parts that are not ROLL original parts (with exception of commercially available sanding discs).

We strongly recommend the use of genuine ROLL spare parts and accessories even after expiration of the warranty period. This is the only way to ensure an impeccable operation of your machine.

Note!

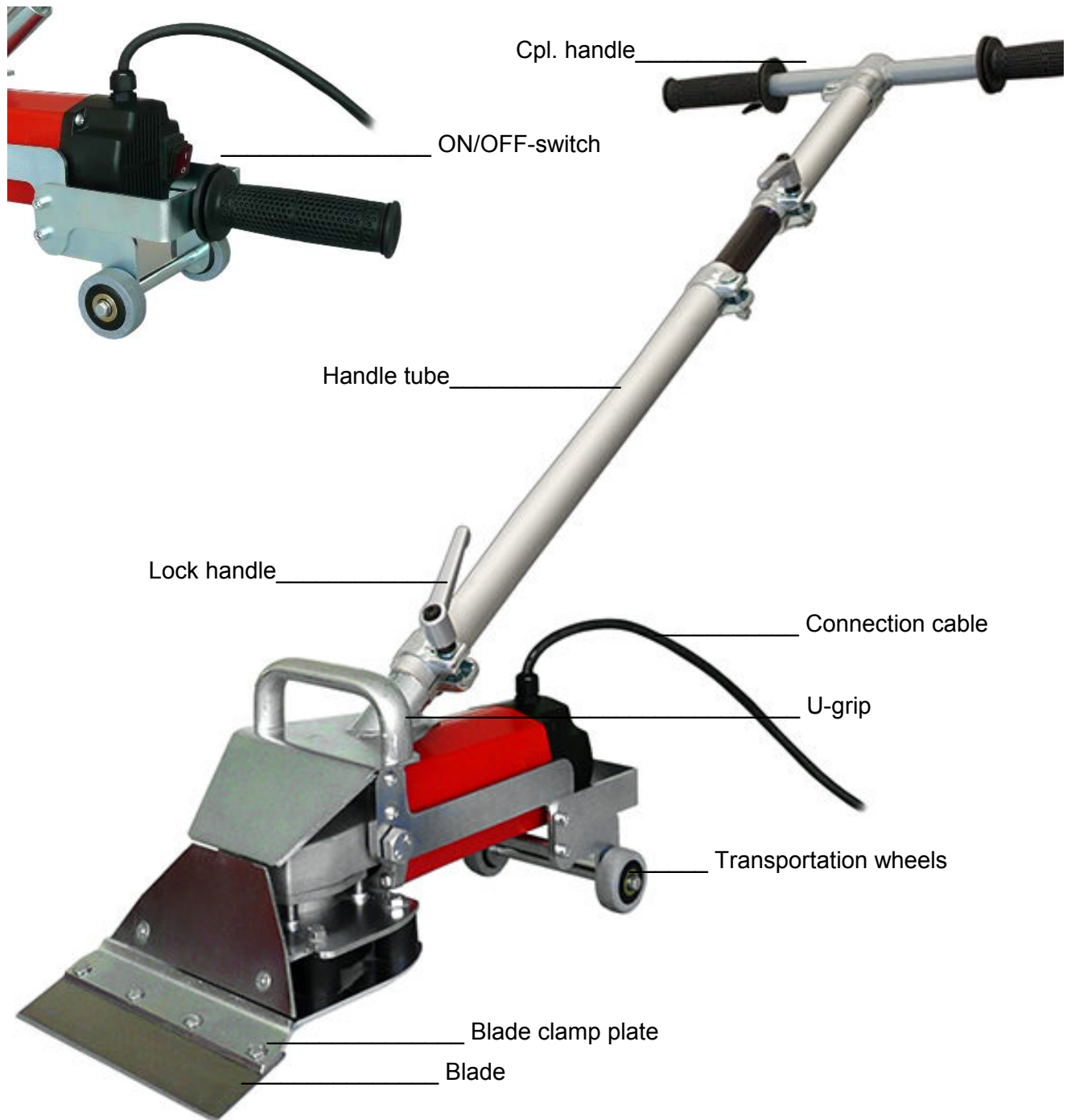


Check the shipment in order to ensure that it is complete in accordance with the chapter „scope of delivery“, and inform your dealer immediately, should any shipment be incorrect.

1.5 Conformity

The machine is constructed and produced according to harmonized norms. The Declaration of conformity according to the regulations of the guidelines 98 / 37 / the EC and 89 / 336 / European Economic Community is added at the end of the manual.

1.6 Description



Bullystripper Roll with T-handle (Art. 17.14575)



1.7 Accessories

Standard accessories:	1 x Blade 60mm x 210 mm, Art. No. 17.14580 1 x Metal holder for conversion to Handstripper
Optional accessories:	Blade for Bullystripper "plus", Art. No. 17.14581 Special blade 60mm x 210mm hardened, 1,5mm thick Blade 130mm x 210mm, Art. No. 17.14590, long execution for softer floors U-blade 60mm x 210mm, Art. No. 17.14592, U-shape, self-cutting due to the 45° bent edges Jumbo blade teflon coated, waved 60mm x 210mm, Art. No. 17.14595, recommended for carpet with felt back, PVC and lino 3,3mm.

2 Safety notes

2.1 General information

Adherence to the safety notes helps to protect against injuries and reduces the risk of an improper utilization of the machine. Every user of this machine and personnel charged with the assembly, maintenance or repair of this machine must have read and understood the contents of the instructions prior to starting any work.

2.2 Designated use

The Bullystripper is constructed for removing pasted flooring coverings like PVC,-CV-, lino and carpeting floorings.

Using the machine outdoors is not allowed.

If the machine is used for purposes other than those intended, the manufacturer of the machine can not be held liable for any damage to persons, property or pets resulting from such misuse.

2.3 Dangerousness of the machine

The Bullystripper was designed and produced for its intended use in accordance with the latest basic safety and health regulations.

Due to the fact that the machine is small and compact the user is tempted to use it improperly.

This can bear unforeseeable risks.

If the machine is switched on while being lifted away from the floor, there is danger of injuries. Things may be damaged or destroyed.

2.4 Basic safety notes

The Bullystripper was designed and constructed for its intended use in accordance with the generally approved rules of technology, the industrial safety and accident prevention regulations, and the directive for the safety of machines of the EC.

- Certain dangers may be occurring during the operation of the machine despite all safety and security measures and facilities. This is especially true if
 - improper operation or
 - improper applicationare the cause.
- Failing to adhere to the operation instructions, in particular to the safety notes, will create danger of injuries or even of fatal injuries as also danger of damage to physical assets.



Warning, Danger of electrical shocks

Do not use damaged lines and plugs.

The machine may be operated only in a technically flawless condition and with all safety facilities fully operational.

2.5 Prerequisites for the user

The users of the machine are required to

- be instructed with the operation of the machine,
- be familiar with and able to execute the operations required for the handling and assembly of the machine,
- be aware of and know the applicable safety regulations for the operation of such machines and adhere to these (cf. The chapter "Preliminary marks"),
- be informed about possible additional local (national) regulations (e.g. with respect to safety facilities),
- be informed about potential threats and dangers arising from the operation of such machines.

2.6 Inspection with accordance with VBG 4 § 5 (1) Nr. 2

The user is responsible for ensuring that the machine is inspected with respect to its proper operation in intervals of 6 months. The inspection may only be executed by a skilled electrician or by personnel that has been trained in electrical skills, provided that suitable measuring and test equipment is used.

2.7 Safety notes

With nonobservance or disregard of these instructions heavy injuries and/or damages can be caused. Read and keep all safety notes.

2.7.1 Safety instructions (operation)



Warning! Danger of life!

When crossing and damaging the electrical cable: DANGER due to electric shock!

Perform a safety check prior to each start of the machine:

- Inspect the connecting cables and connectors/pugs for damage and improper connected load.
- Route the electrical cables properly to prevent persons tripping over them.
- Do not switch on the machine until it is in working position.
- Hold the machine firmly with both hands at the handle.
- Switch of the machine immediately when the operation is completed.
- Secure the machine against accidental tilting over.



Should there be problems with the electricity supply (protections, relays etc.) please contact a specified electrician.



Switch off and disconnect the machine for maintenance and repair.



Never use the machine with a defective cable; this can lead to an electric shock. Do not pull the machine at the cable. Use only intact plugs and cables.



It can come for injuries or deaths by electric shock if the cable is damaged. Hold the cable far from the lower part of the machine, so that it cannot get into contact with the blade. Lead the cable always to the back away.



Should the machine not be properly connected to the electric system, this can lead to deaths by electric shock. For a maximum protection against electric blows you use please an electric system with safety switch.

Suggested maximum cable length 7 m, for longer cables use a bigger cross section. With the use of the machine with cable of insufficient cross section and/or excessive length, this can lead to material damages or personal damages.

Please use only admitted cables with two leaders.

2.7.2

Safety notes noise



The noise that is created during the operation of the machine depends on many factors. All the possible application types and the local regulations, such as the size of the rooms and the features of the ground affect the development of the noise.

Therefore the local operator has to assess the effect and order the precautionary wearing of ear protections.

2.7.3

Safety notes operation



Keep hands, feet and not sticking parts of the clothes far from the machine parts located in work. The parts in movement of this machine can cause heavy injuries and/or damages.



With the use of a not completely mounted machine injuries can originate to persons and/or things. Do not use the machine, before this has been completely mounted. Keep all connection elements closed.



Do not screw or rivet signs on the machine, you can destroy the protective insulation! We recommend stickers!



Maintenance and repair by uncertified staff can lead to injuries or damages and reduces all guarantee achievements.



Should the machine be exposed to water or rain, it can come to deaths by electric shock. The machine must be stored in a dry building.

3 General instructions for the user

3.1 Scope of delivery



Item	Description	Article no.
1	Bullystripper Roll with T-handle	17.14575
2	1 x blade 60mm x 210mm (dismounted)	17.14580
3	Wrench 10-13	67.00315
4	Metal holder for conversion to Handstripper (dismounted)	42.02065
5	Operation manual	

3.2 Dimensions / Weight / Technical details

Total weight: 14,3 kg

Technical details:

Rotation: 6600 rpm
Power: 2200 W
Voltage: 230 V (120 Volt)
Working width: 210 mm

4 Assembly

- Connect separated handle tubes:
Long tube with clamp – adapter tube – short tube – handle with clamp.
- Put the cables in such a way that no trip traps can originate and it cannot be damaged.
- Fix the blade as described in chapter 7.3 „Changing the blade“



Note!

Now the machine is ready for operation. The electrical connection with the mains will be done only on site.

5 Transport

In many cases it is inevitable to transport resp. carry the machine to the point of utilization. Due to the low weight and the manual measurements no instruction references are required for this.

Total weight of the machine: 14,3 kg



Caution, Fragile!

Do not throw the machine and do not transport it without securing it onto the load area.



Note!

Now the machine is ready for operation. The electrical connection with the mains will be done only on site.

6 Operation

6.1 Preparation of the machine

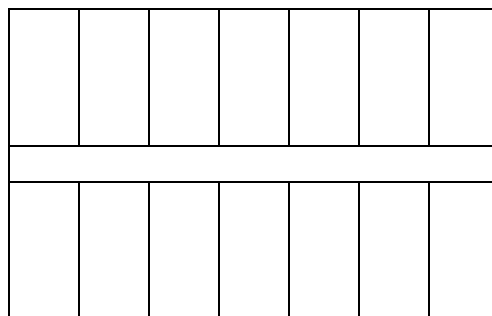
Adjust the handle

For a light and exact use of the machine the right height setting of the handle is important.

Adjust the handle as described in chapter 4 „Assembly“

6.2 Preparation of the subsurface

Before placing the machine cut the floor in stripes, pay attention to the working width of the Bullystripper of 210mm. In the case of strong pasted floors, cut it in more narrow stripes.



As far as possible please remove the floor covering with the clamp (17.13630)



We recommend removing a first stripe in the middle of the room, where you can place the Bullystripper.

6.3 Starting the machine



- Connect the Bullystripper to the plug.
- Switch on the Bullystripper at the switch.
- Place the Bullystripper in the cut area and stripe a complete stripe through the room. Afterwards place the Bullystripper across the cut stripe.
- Pull the machine back with the chassis



6.4 Tips

- Pay attention that the blade is always sharp. Keep your working surroundings clean and freely from rubble to avoid an unnecessary wear of the knife.
- Do not work in a steeper angle when the underground is softish.
- Do not cut strips wider than the working width of 210mm.
- Work from the middle of the room to the wall.
- Take care of the cable, work to the opposite direction from the power socket.
- Use the waved Jumboblade in Teflon in the case of strong pasted flooring coverings (No. 17.14595)
- Do not use the 130mm blade if you have harder coverings, it could be too flexible.
- The phase of the blade can be used differently – upwards or down showing. With down showing phase the blade can sharpen itself (depends on subfloor!)

7 Maintenance and repair

7.1 General information

The tools necessary for the maintenance repair and service works that have been described below is included in the delivery extent of the machine.

ROLL has planned maintenance and repair works for the Bullystripper. Only the activities that have been described below can be applied.

When doing so, it is imperative to keep the default and the described procedures. The application of original spare parts guarantees the dependable utilization of the machine in the future.

The following works have been planned:

- Cleaning (chapter 7.2)
- Changing the blade (chapter 7.3)

7.2 Cleaning and maintenance



Caution!

Pull out the plug from the power connection before cleaning!

Once per week - with frequent use more often - carry out:

- Clean the chill air openings
- Blow out with dry pressure air the engine
- Remove the floor covering leftovers



Caution!

Exchange the wear parts in time!

7.3 Changing the blade



Caution!



Danger of cutting for the hands! Wear protective gloves!

- Unfasten the hexagonal nuts, key width 10mm, approx. half a rotation with the provided double ring key.
- Pull out the blade.
- Insert the new blade with the phase upwards.
- Fasten the hexagonal nuts.



7.4 Safety notes maintenance



Note!

For all works the following can be applied in general:

- *The works must be done by trained personnel only.*
- *Any work performed on the electrical equipment may be carried out by skilled electricians only.*
- *The utilisation of original parts guarantees the necessary technical specifications.*



Caution!

Material damages are possible!

The works have to be done carefully and with suitable tools, so that no other parts of the machine are damaged during the possible slipping of the tool.

E Annex E: Spare parts list

E.1 Ordering information for spare parts

An unmistakable identification and designation of the parts ensures that the correct part will be delivered.

In order to avoid transmission errors and extensive descriptions it is recommended to use only the designations and the numbers stated in the spare parts list.

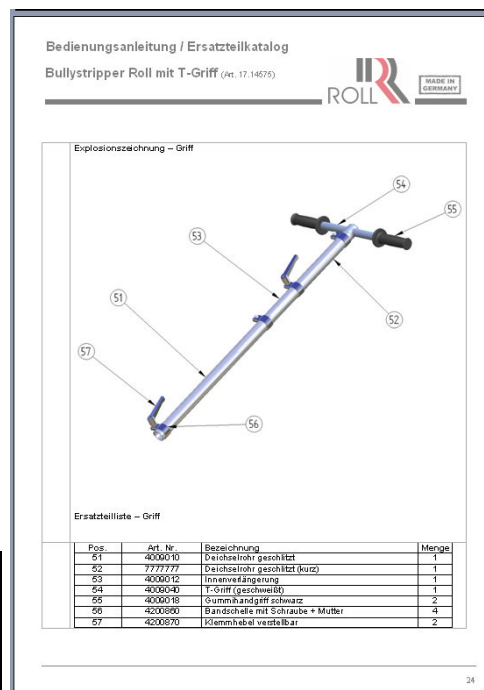
E.2 Ordering example

We need T-handle

Arbeitsschritte:

1. Search for the number of the needed part in the picture (explosion view): for this example **54**
2. Identify the correct description of the needed part in the text (legend) of the spare parts list: for this example: **T-handle**.
3. Identify the correspondent order number: for this example: 4009040
4. Der vollständige Bestelltext lautet:

Description	Article no.	Quant.
T-handle	4009040	1



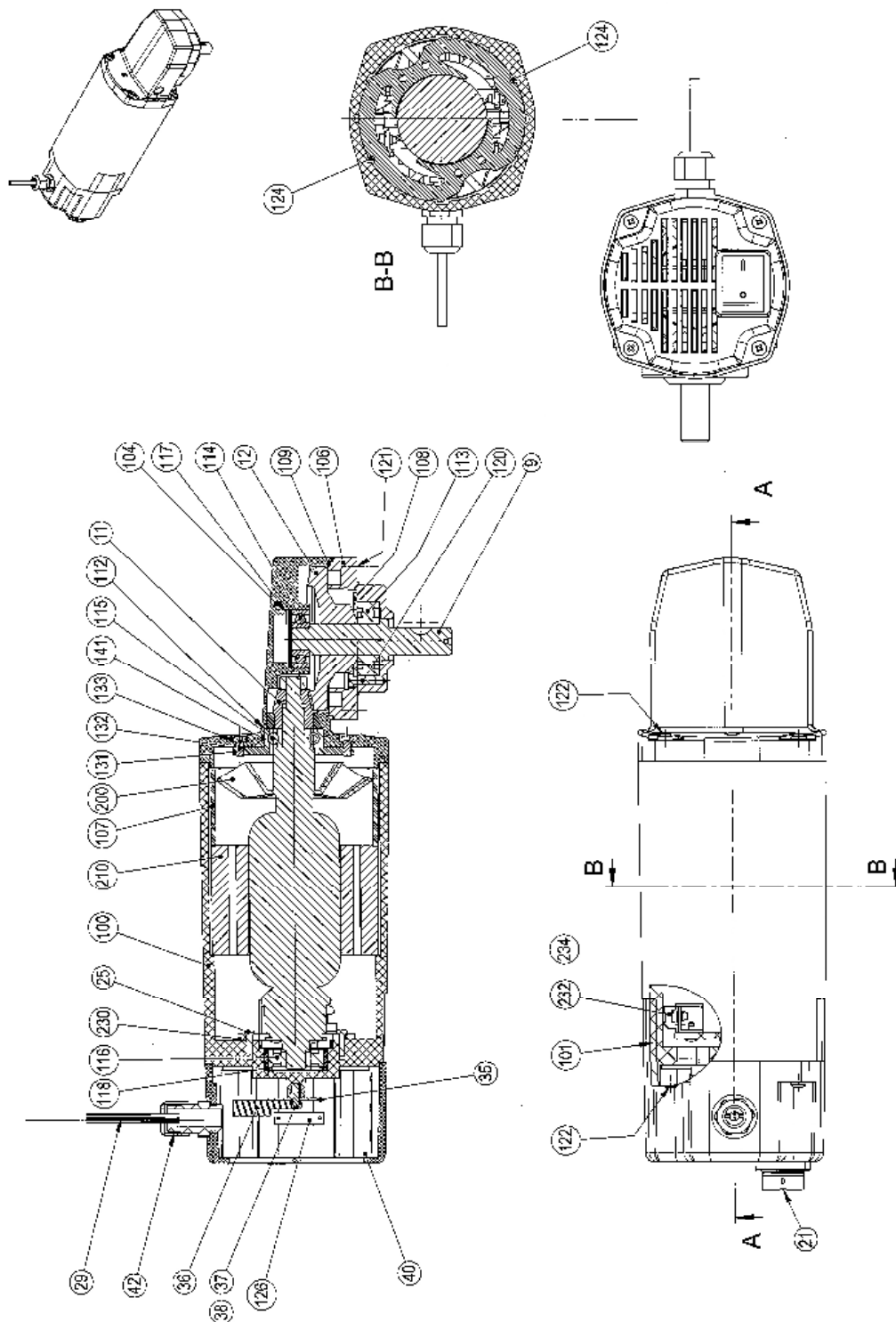
E.3 Ordering address

Address your spare parts order to:

Roll GmbH
Albstr. 12
D-72820 Sonnenbühl
Germany

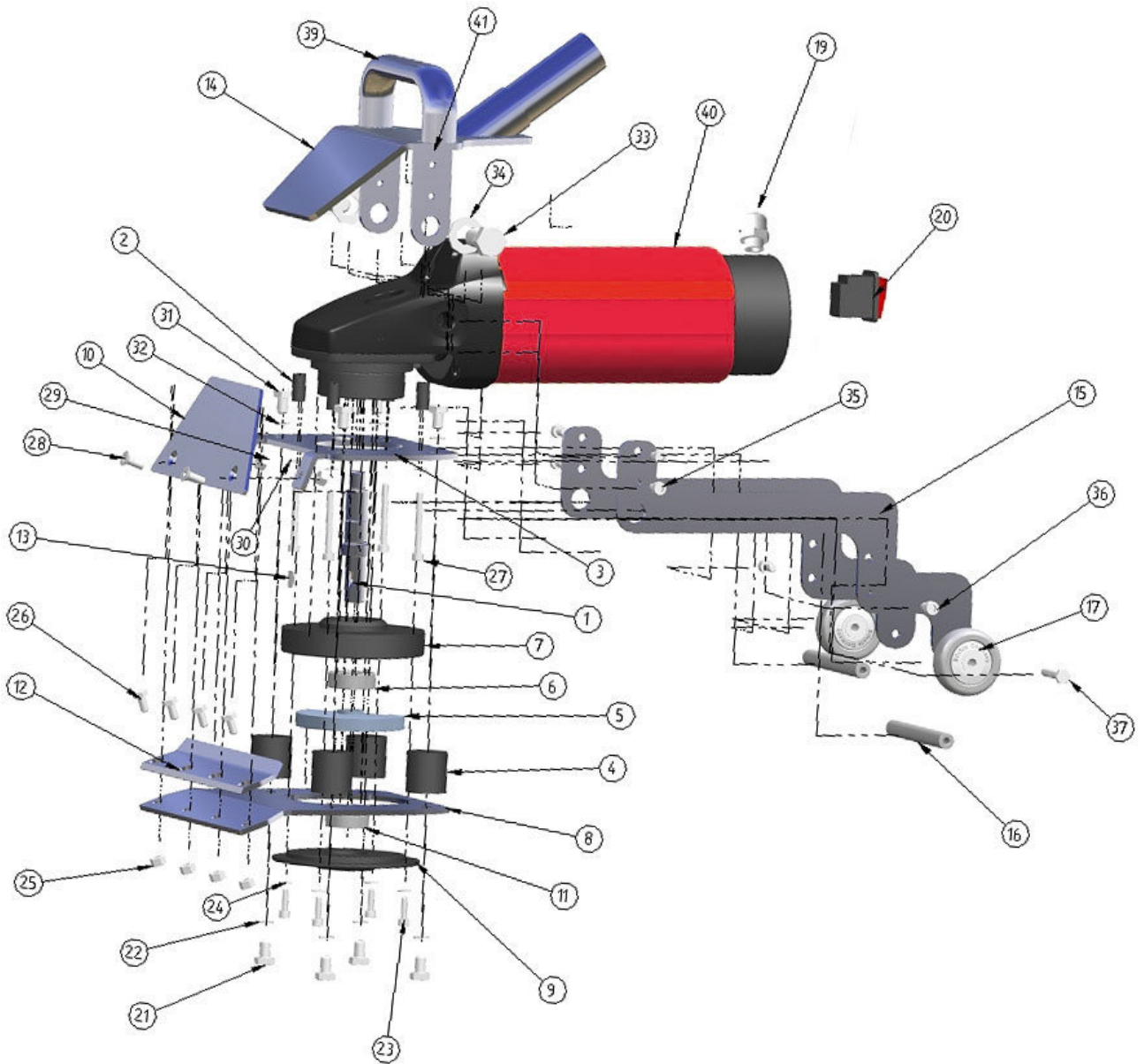
Phone +49 (0) 7128 / 92800
Fax +49 (0) 7128 / 928011
E-Mail info@roll-gmbh.de
Internet www.roll-gmbh.de

Exploded drawing – Motor



Order with item no.!

Exploded drawing – Attached parts

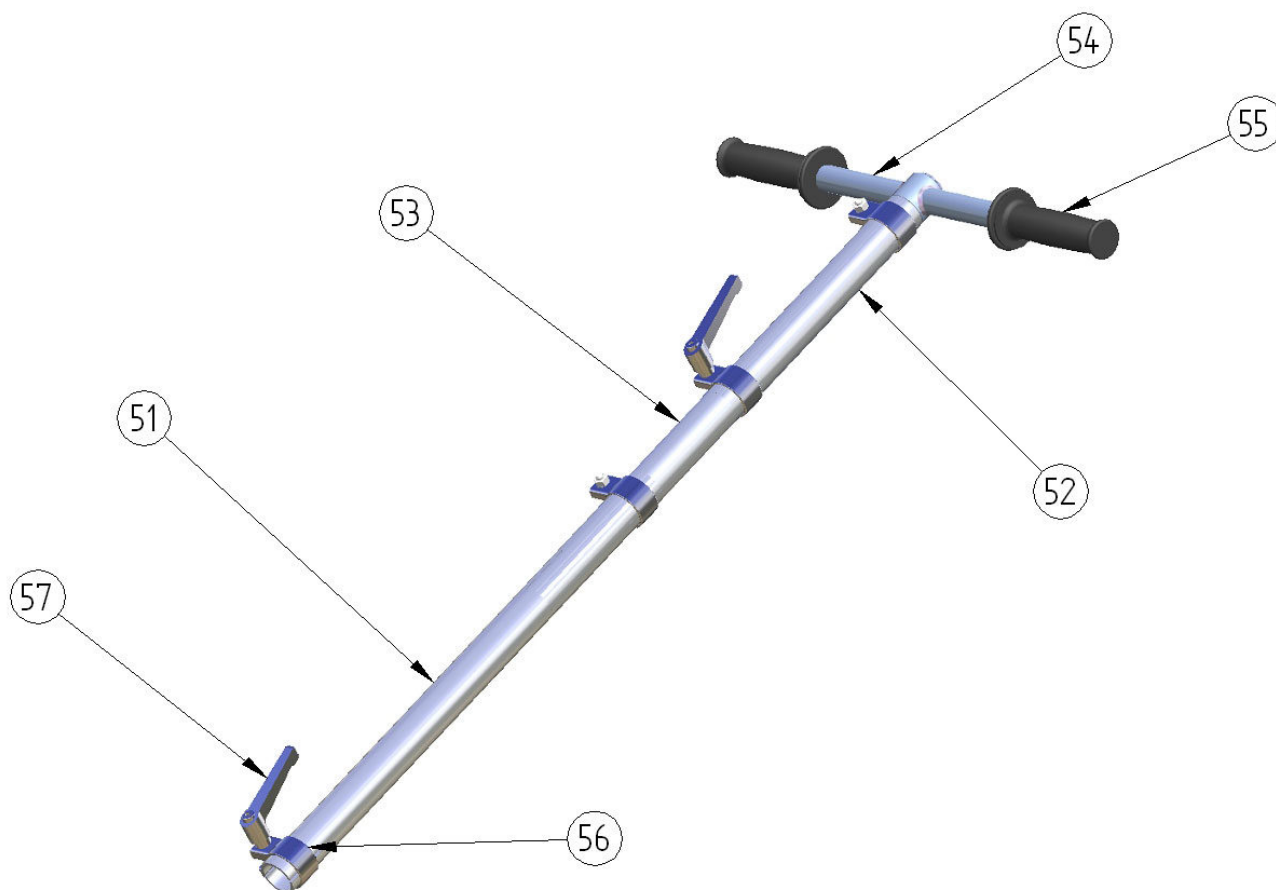




Spare parts list – Attached parts

Itm.	Article no.	Description	Quant.
1	4202055	Exzenterwelle	1
2	4202026	Distanzbüchse	4
3	4202002/1	Anschraubplatte	1
4	4005100	Vibrationsgummi	4
5	4004000	Ausgleichsgewicht	1
6	4003100	Kugellager in Oberflansch	1
7	4003000	Oberflansch	1
8	4202006	Unterplatte gebogen	1
9	4202060	Unterflansch geschlossen	1
10	4202019	Abweisplatte	1
11	4006100	Kugellager in Unterflansch	1
12	4202018	Messerklemmplatte	1
13	4008100	Scheibenfeder für Welle (Rundkeil)	1
14	4202009	Befestigungsbügel	1
15	4202011	Strebe (Fahrgestell)	2
16	4202016	Achse (Fahrgestell)	2
17	4202015	Transportrad	2
19	4200852+853	Kabelverschraubung inkl. Mutter	1
20	4200858	Wippenschalter 16A	1
21	5630812	Sechskantschraube (=Pos. 31)	4
22	5670800	Sicherungsscheibe (=Pos. 32)	4
23	5620516	Inbusschraube	4
24	5670500	Sicherungsscheibe	4
25	5640601	Sechskantmutter	4
26	5630612	Sechskantschraube	4
27	5620545	Inbusschraube	4
28	5610616	Senkschraube	2
29	5640601	Sechskantmutter	2
30	5670500	Sicherungsscheibe	4
31	5630812	Sechskantschraube (=Pos. 21)	4
32	5670800	Sicherungsring (=Pos. 22)	4
33	5631425	Sechskantschraube	2
34	5661401	Sicherungsscheibe	2
35	5620608	Inbusschraube	4
36	5620612	Inbusschraube	2
37	5630635	Sechskantschraube	2
39	4009300	U-Griff	1
40	4009700	Anbaumotor 230V 50Hz 2200W	1
41	5690812	Schraube f. U-Griff	2

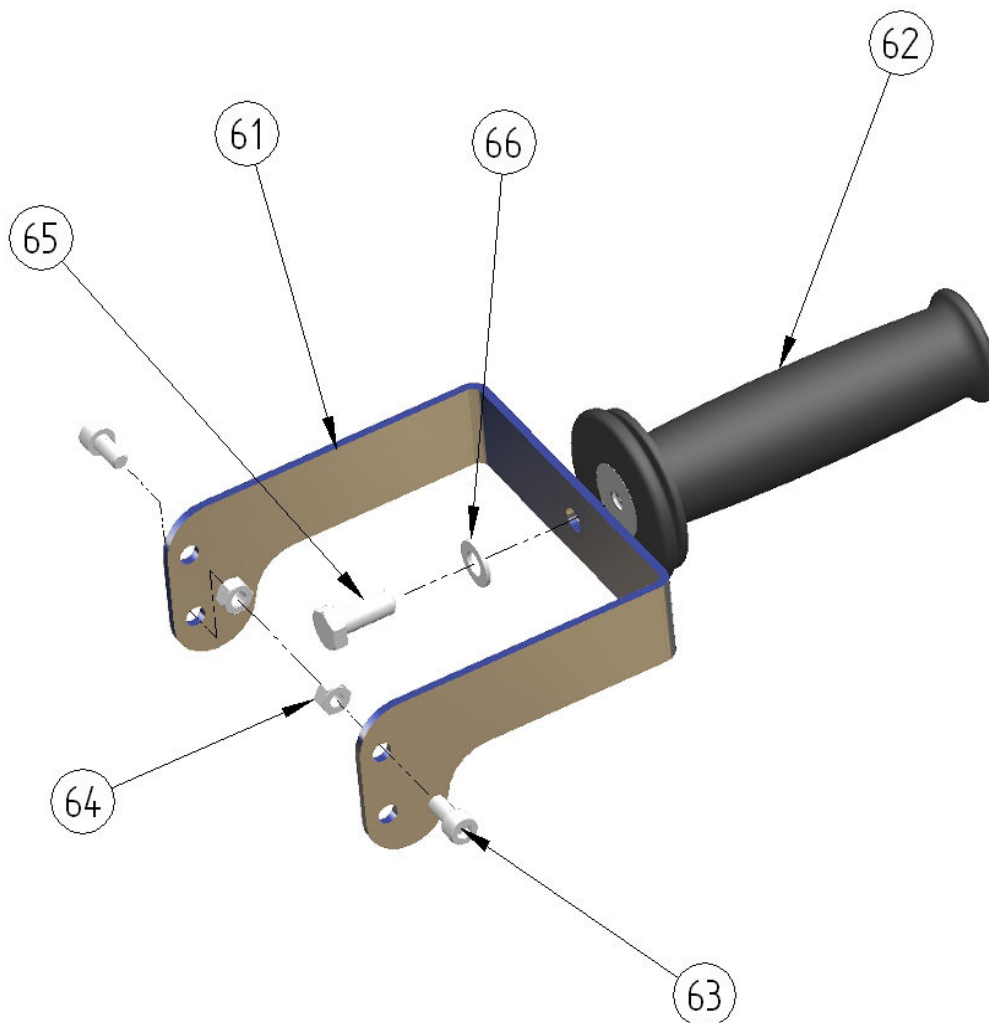
Exploded drawing – Handle



Spare parts list – Handle

itm.	Article no.	Description	Quant.
51	4009010	Deichselrohr geschlitzt	1
52	7777777	Deichselrohr geschlitzt (kurz)	1
53	4009012	Innenverlängerung	1
54	4009040	T-Griff (geschweißt)	1
55	4009018	Gummihandgriff schwarz	2
56	4200860	Bandschelle mit Schraube + Mutter	4
57	4200870	Klemmhebel verstellbar	2

Exploded drawing – Handle for handstripper



Spare parts list – Handle for handstripper

Itm.	Article no.	Description	Quant.
61	4202065	Handgriffaufnahme Bully	1
62	4200862+ 4009018	Handgriff mit Körper (Verwendung von Pos. 55)	(1) aus Pos. 55
63	5620612	Inbusschraube	2
64	5640601	Mutter	2
65	5630820	Sechskantschraube	1
66	5658416	Scheibe	1

Bullystripper Roll with T-handle (Art. 17.14575)



CE Declaration of conformity

We declare ourselves solely responsible for this products conforming with the following standards or standardized documents:

EN 50 144, EN 55014, EN 61 000-3-2/-3-3 gemäß den Bestimmungen der Richtlinien 98/37/EG und 89/336/EWG.

Description:	Bullystripper
Type:	Roll with T-handle
Article no.:	17.14575

Place / Date / Signature: Sonnenbühl 01.09.2014, Roll GmbH

This CE Declaration of Conformity was made out mechanically and is valid without sign