

**LAVINA**®



# LAVINA® PSE USER MANUAL



Tech Support Line: 800-987-8403 | [www.superabrasive.com](http://www.superabrasive.com) | [info@superabrasive.us](mailto:info@superabrasive.us)



## Warranty Registration Card

Complete and submit this form within 30 days from the date of purchase. The registration is invalid without the machine serial number.

### Section 1: Customer Information

Customer name

Address

City

State and Zip Code

Phone #

Email

### Section 2: Machine Information

LAVINA model

Serial #

Purchase Date

Purchased From (distributor, dealer)

*Email: [warranty@superabrasive.us](mailto:warranty@superabrasive.us) / Fax: 706-658-0357  
Superabrasive Inc., 9411 Jackson Trail Rd, Hoschton, GA 30548*

# Contents

- 1. WARRANTY AND RETURNS..... 4
  - 1.1 WARRANTY POLICY FOR LAVINA® PSE ..... 4
  - 1.2 RETURN POLICY FOR LAVINA® PSE ..... 5
- 2. GENERAL INFORMATION..... 5
  - 2.1 MANUFACTURER ..... 5
  - 2.2 GENERAL DESCRIPTION ..... 5
  - 2.3 RECOMMENDED USE..... 5
  - 2.4 HANDLING AND TRANSPORTATION ..... 5
- 3. MAIN COMPONENTS AND CONTROLS ..... 6
- 4. TECHNICAL DATA..... 7
- 5. OPERATING WITH THE PRE-SEPARATOR ..... 7
  - 5.1 LOCKING CASTER WHEEL..... 7
  - 5.2 LONGOPACK® BAG REPLACEMENT (CHANGING BAGS) ..... 8
  - 5.3 INSTALLING LONGOPAC® REFILL PACKS..... 9
  - 5.4 DUST CHAMBER FLAP REPLACEMENT ..... 10
- 6. ACCESSORIES AND CONNECTIONS..... 11
  - 6.1 ADAPTERS..... 11
  - 6.2 ACCESOARIES..... 12
- 7. SPARE PARTS ..... 13
  - 7.1 GENERAL PARTS..... 13
  - 7.2 HEAD COVER..... 14
  - 7.3 DUST CHAMBER..... 15
  - 7.4 CARRIAGE ..... 17
- 8. DISPOSAL ..... 18
- 9. MANUFACTURER’S CONTACTRS..... 18

# 1. WARRANTY AND RETURNS

## 1.1 WARRANTY POLICY FOR LAVINA® PSE

If your warranty card is missing, contact your local distributor and request a warranty card, or visit us at [www.superabrasive.com](http://www.superabrasive.com) to download one. The customer is responsible for filling out the card and mailing it to the manufacturer's address as indicated on the card. To ensure registration and activation of warranty coverage, the warranty card must be mailed to the manufacturer within 30 days from date of purchase; failure to do so may void the warranty. Be sure to provide the manufacturer with all of the information requested, and most importantly with the distributor's name, machine serial number, and purchase date.

Superabrasive offers a guarantee on LAVINA® vacuums, covering manufacturing and material defects, for a period of 24 months from the date of purchase, as invoiced by Superabrasive. The following conditions pertain to this warranty:

- Applies only to the original owner and is not transferable.
- Vacuum must not be dismantled and tampered with in any way.
- This warranty does not cover any failures or defects caused by normal wear and tear, accidental damage, damage during transport, improper handling, repairs conducted by an unauthorized facility (without prior authorization by Superabrasive), or operation that is not in compliance with the instructions provided in this manual. Superabrasive denies all responsibility for damages or injuries, to any persons or objects, caused by improper operation of the vacuum unit.
- This warranty will become invalid in the event that equipment or accessories used on/with the vacuum unit are not supplied or approved by Superabrasive.
- Covered components proven defective will be repaired or replaced at no charge.
- This warranty does not apply to any repair of/to of proprietary parts, nor does it cover cleaning or general maintenance.
- This warranty does not apply to items with aftermarket alterations, changes, or modifications.
- This warranty is limited to repair or replacement of covered components and reasonable labor expenses.
- In the event of a warranty claim, the vacuum unit must be returned to Superabrasive, or an authorized facility, for a warranty investigation, and subsequent warranty repair or replacement.
- All warranty returns must be shipped freight prepaid.
- This warranty is in lieu of and excludes every condition of warranty not herein expressly set out and all liability for any form of consequential loss or damage is hereby expressly excluded.

The above warranty conditions may be changed only by Superabrasive. Superabrasive reserves the right to inspect and make a final decision on any machine returned under this warranty. This warranty applies to new, used, and demo machines.

Superabrasive agrees to repair or replace, free of charge, any parts which have failed due to manufacturer or material defects. Repairs must only be performed at authorized service facilities that have been approved by Superabrasive. Shipping and handling fees associated with warranty claims must be pre-paid by the customer / claimant.

In the event that a warranty investigation determines that the damage or unit failure is not attributed to manufacturer or material defects, all costs associated with the repair of the vacuum will become the direct responsibility of the claimant. If payment is not rendered for such services, Superabrasive will assume ownership of the machine and any associated parts in possession.

Superabrasive does not authorize any person or representative to make any other warranty, or to assume for us any liability in connection with the sale and operation of our products.

The manufacturer is also not liable in the event that the customer fails to submit a Warranty Certificate, fails to follow manual instructions, uses non-original spare parts, or fails to service/clean the vacuum regularly and properly

## 1.2 RETURN POLICY FOR LAVINA® PSE

LAVINA® PSE may be returned, subject to the following terms:

- PSE may not be returned to Superabrasive Inc. for credit or repair without prior authorization. Please contact Superabrasive Inc. or your local distributor for authorization and issuance of a return authorization number. This number along with the serial number of the product must be included on all packages and correspondences. Pre-separator returned without prior authorization will remain property of the sender and Superabrasive Inc. will not be responsible for these.
- No products will be credited after 90 days from the date of Superabrasive's invoice.
- All returns must be shipped freight prepaid. All returns may be exchanged for other equipment or parts of equal dollar value. If products are not exchanged, they are subject to a fifteen percent (15%) restocking fee.

## 2. GENERAL INFORMATION

This owner's manual is intended for the operator of the Lavina® PSE, the servicing technician as well as for anyone involved with operating or servicing the machine. We recommend that you read the instructions very carefully and follow them strictly. The manual includes information about assembling, using, handling, adjusting and maintaining your Lavina® PSE concrete dust collector.

### 2.1 MANUFACTURER

Superabrasive was founded in 1987, as a manufacturer of high quality diamond tools for the stone and concrete industry. Today, Superabrasive is one of the world's leading companies in the production of diamond tools and floor grinding machinery. At Superabrasive, we strive to deliver the very best solutions to our customers, and enable them to work more efficiently.

### 2.2 GENERAL DESCRIPTION

Lavina® Pre-separator ELITE is designed to capture as much dust as possible before it can reach the dust extractor. The larger the dust particles are, the more efficient the pre-separator is. It can capture up to 98% of the dust if it's large enough, for example grinding with grid 30 or larger tools. Using pre-separator will increase vacuum filter's life significantly.

### 2.3 RECOMMENDED USE

Lavina® Pre-separator ELITE is designed to work with our dust extractors, where they find application.

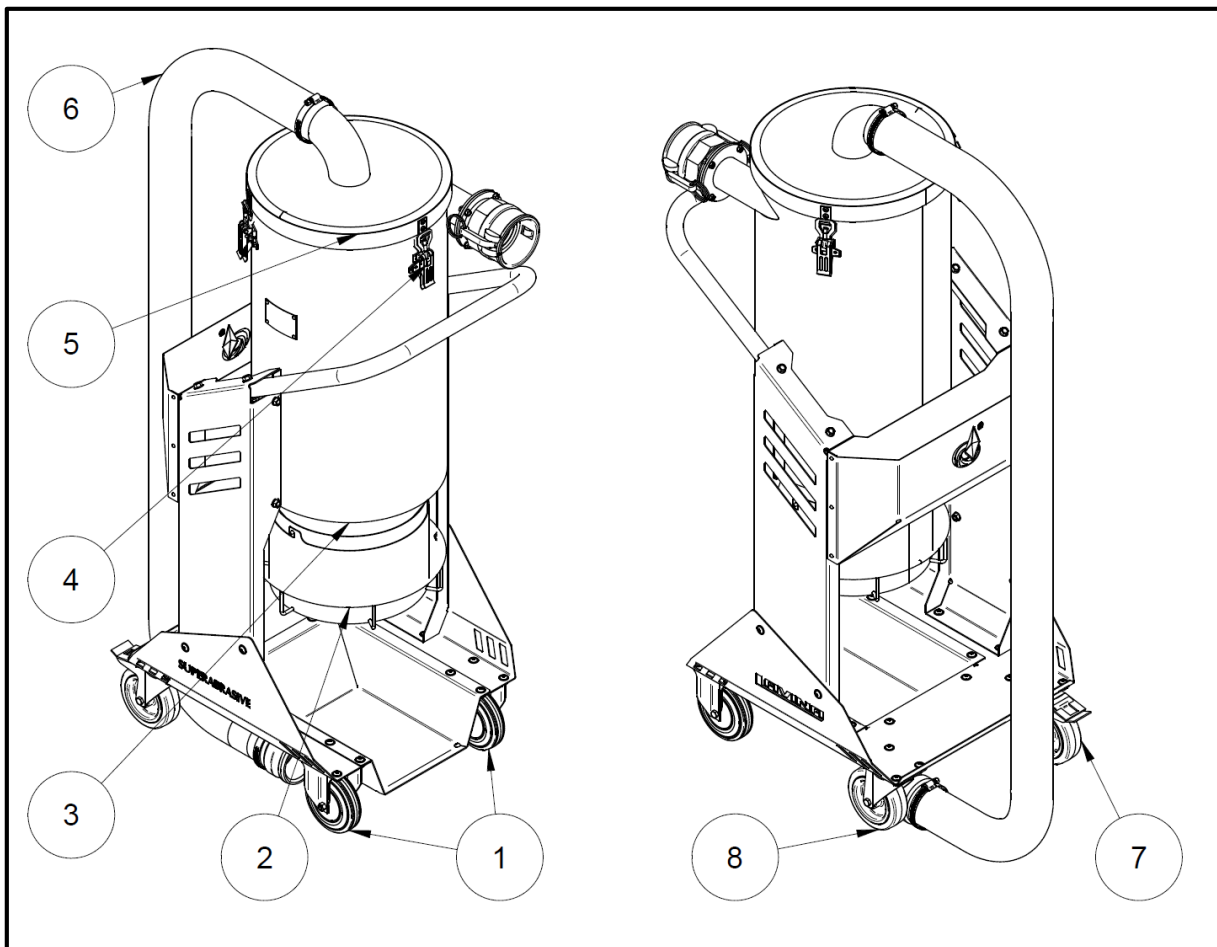
### 2.4 HANDLING AND TRANSPORTATION

When handling and transporting the machine, never use the handles or other machine parts to lift the machine. Use always a skid or pallet for transportation, and never transport an unprotected machine in the rain or snow. Always store and transport the machine in an upright position. The machine should also always be stored in a dry, frost-proof environment.

### **WARNING!**

The dust collector Lavina® PSE is manufactured and fitted for the above-mentioned applications only! Every other use may possess risks to the persons involved.

### 3. MAIN COMPONENTS AND CONTROLS



**Figure 3.1**

- |                                       |  |
|---------------------------------------|--|
| 1. Fixed wheel ( 2 total );           | 5. Pre-separator head cover;               |
| 2. Holder for LONCOPAC® waste system; | 6. 3" Hose to connect with dust extractor; |
| 3. Dust chamber;                      | 7. Caster locking wheel);                  |
| 4. Latches ( 3 total );               | 8. Caster wheel;                           |

**Label Data** - The data on the label provides the weight and dimensions; Weight (needed for transportation purposes); production year and serial number (needed for maintenance purposes).

**Customer Service** - For customer assistance and technical support call your local distributor or call Superabrasive Inc. at 1-800-987-8403 or visit us at [www.superabrasive.com](http://www.superabrasive.com) , where you can download a copy of this manual.

## 4. TECHNICAL DATA

**Table 4.1**

		<b>PSE</b>
<b>Longopac</b>		YES
<b>Hose</b>	mmxm	75 mm x 2m
	inxft	3in x 6.5ft
<b>Inlet</b>		3" Camlock
<b>Outlet</b>		3" Camlock
<b>Capacity</b>	Liter	75
<b>Dimensions (L*W*H)</b>	mm	650x520x1430
	in	25.6x20.5x56.3
<b>Weight</b>	kg	55 kg
	lbs	121lbs

## 5. OPERATING WITH THE PRE-SEPARATOR

### 5.1 LOCKING CASTER WHEEL

There is one locking caster wheel located on the front of the dust collector. Locking the wheel will prevent the pre-separator from moving, and possibly causing damage or injury. The wheel should be locked on uneven surfaces to prevent unexpected rolling or movement. To lock or unlock the caster wheel, follow the procedure shown below.

- To lock the caster wheel, press down on the metal tab
- To unlock the caster wheel, press backwards on the metal tab protruding from the top of the wheel assembly.



**Figure 5.1**

## 5.2 LONGOPACK® BAG REPLACEMENT (CHANGING BAGS)



**Figure 5.2.1**



**Figure 5.2.2**

**Figure 5.2**

The Lavina® PSE has a LONGOPAC waste system for effective dust storage. This is a 20 m long plastic tube that will be divided into plastic bags using the zip ties attached to the machine.

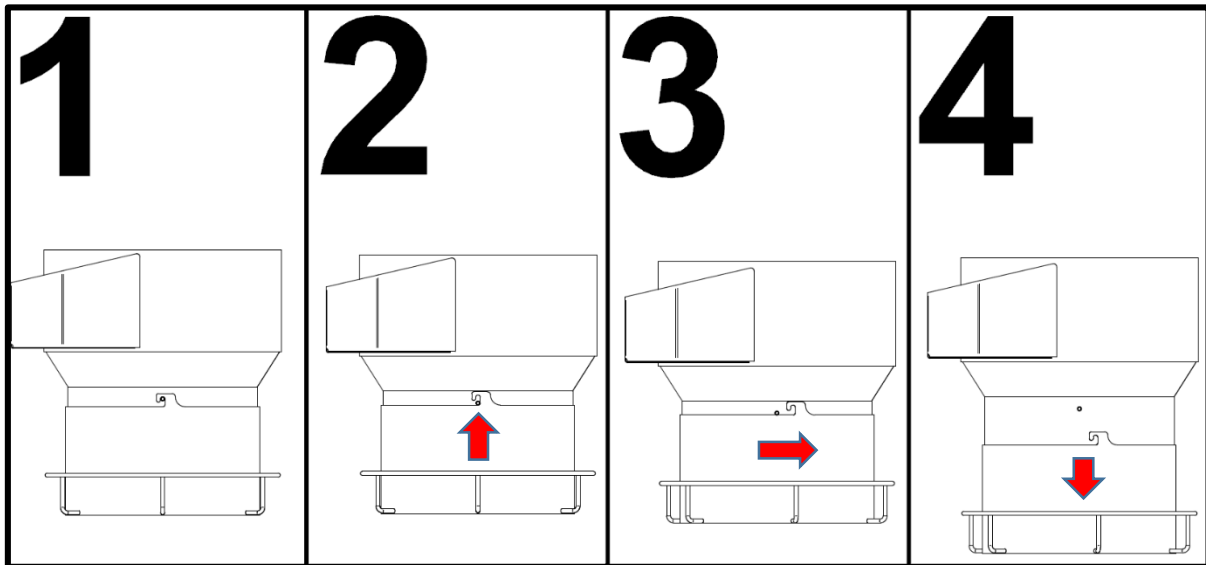
### **IMPORTANT:**

1. TURN OFF THE VACUUM OR CLOSE ITS INLET VALVE SO NO AIR GOES THROUGH THE PRE-SEPARATOR;

- Make sure that there at least 3-4 inches of an empty bag located between the bottom of the dust container and the top of the debris/waste.
- Install 2 zip ties, or cable ties, around the plastic bag: 1 located above the top of the debris/waste, and a 2nd tie located approximately 2-3 inches higher up on the bag). Both ties must be securely tightened in order to prevent the opening of the bag and possible spillage (Fig 5.2.1).
- Using a sharp knife or scissors, cut across the entire section of plastic bag located between the 2 zip ties, or cable ties (Fig 5.2.1). Remove and dispose of the bag section containing the dust and debris.
- Pull down on the bag until the end reaches the lower bag-support plate (Fig 5.2.2).

**IMPORTANT:** When disposing of bags containing debris, be sure to use waste disposal containers and methods that fully comply with all environmental laws and regulations that are applicable to your specific country and location.

### 5.3 INSTALLING LONGOPAC® REFILL PACKS



**Figure 5.3**

When the plastic bag cartridge has reached the end, the plastic bag refill may be installed using the following procedures:

1. At **fig. 5.3 pos. 1**, you can see the locked position of the LONGOPACK® plastic bag holder and to take it off you should:
  - Lift the holder upwards about 10-15mm to unlock it **fig. 5.3 pos.2**;
  - Rotate the holder enough that you can bring it down and take it off from the filter chamber **fig. 5.3 pos.3**;
  - Take off the holder **fig. 5.3 pos.4**;
2. As you took the holder off from the pre-separator, now you can place new LONGOPACK bag refill by the following steps:



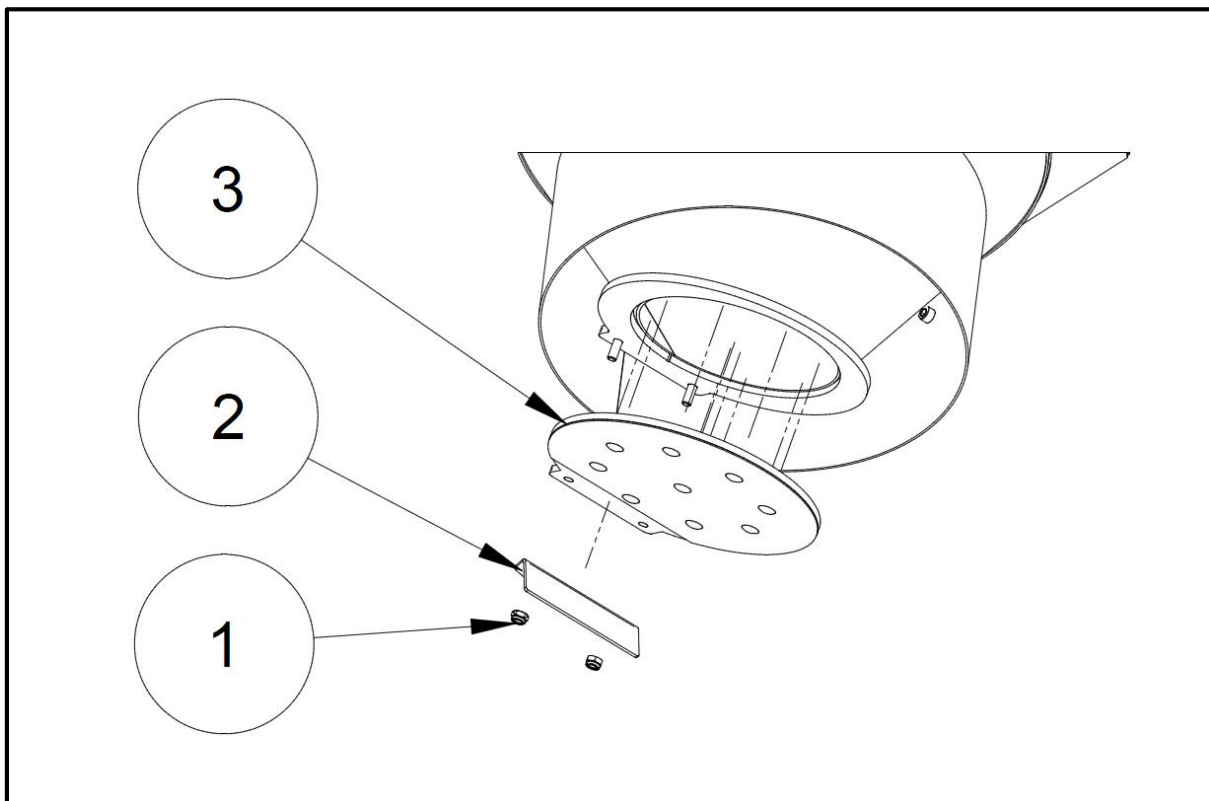
**Figure 5.3.1**



**Figure 5.3.2**

1. Place the LONGOPAC® bag refill into the support ring. Ensure that the 2 ends of the refill are directed in an upwards position. Pull the inner end of bag refill down over the inside surface of the bag support ring by making sure that the hook of the holder sticks out from the bag (Fig 5.3.1 and 5.3.2).
2. After you install the new bag, you need to attach the holder back to the filter chamber by following the steps from fig. 5.3, performing it backwards.
3. After you attach it and the zip tie has been securely installed, pull the bag down until the end reaches the lower, bag-support plate (fig. 5.2.2). The pre-separator is now ready for operation.

#### 5.4 DUST CHAMBER FLAP REPLACEMENT



**Figure 8.6**

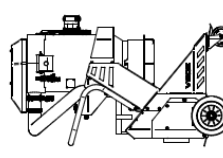

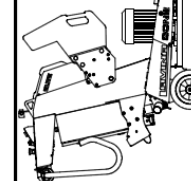
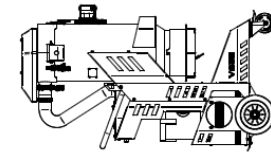

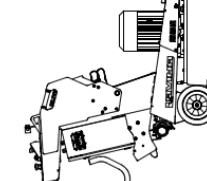
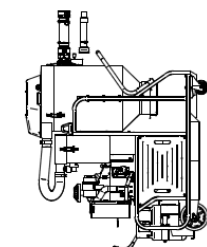
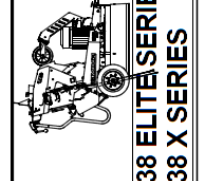
To change the flap follow those 3 steps (fig. 8.6):

- Unscrew the nuts pos.1;
- Remove the limiting plate pos.2;
- Remove the flap pos.3;

Mount the new flap and go through the steps in reversed order.

# 6. ACCESSORIES AND CONNECTIONS

## 6.1 ADAPTERS

<p>Adapter needed to connect the pre-separator's hose to the vacuum.</p>  <table border="1" data-bbox="319 1523 399 1792"> <tr> <td colspan="2"><b>V20 SERIES</b></td> </tr> <tr> <td>ELITE</td> <td>Part No: A73.00.00</td> </tr> <tr> <td>X</td> <td>Part No: 30316000116</td> </tr> </table>  <p><b>V20 ELITE SERIES V20 X SERIES</b></p>	<b>V20 SERIES</b>		ELITE	Part No: A73.00.00	X	Part No: 30316000116	<p>Adapter needed to connect the vacuum's main hose (MH) to the pre-separator.</p> <p><b>V20 SERIES</b> ELITE Part No: A71.00.00 X Part No: A70.00.00</p> <p><b>V25 SERIES</b> ELITE Part No: A71.00.00 X Part No: A71.00.00</p> <p><b>V32 SERIES</b> ELITE DIRECT CONNECTION X DIRECT CONNECTION</p> <p><b>V20 SERIES TO L25 ELITE</b> ELITE Part No: A71.00.00 X Part No: A70.00.00</p> <p><b>V20 SERIES TO L25 X</b> ELITE Part No: A71.00.00 X Part No: A70.00.00</p> <p><b>V25 SERIES TO L25 ELITE</b> ELITE Part No: A71.00.00 X Part No: A71.00.00</p> <p><b>V25 SERIES TO L25 X</b> ELITE Part No: A71.00.00 X Part No: A71.00.00</p> <p><b>V32 SERIES TO L25 ELITE</b> ELITE DIRECT CONNECTION X DIRECT CONNECTION</p> <p><b>V32 SERIES TO L25 X</b> ELITE DIRECT CONNECTION X DIRECT CONNECTION</p> <p><b>V25 SERIES TO L32 ELITE</b> ELITE Part No: A71.00.00 X Part No: A71.00.00</p> <p><b>V25 SERIES TO L32 X</b> ELITE Part No: A71.00.00 X Part No: A71.00.00</p> <p>LAVINA VACUUM MAIN HOSE (MH) V32 SERIES MAIN HOSE (both X and ELITE) V32CX-00.40.00 V25 SERIES MAIN HOSE (both X and ELITE) V25X-00.40.00 V20 X SERIES MAIN HOSE V20X-00.40.00 V20 ELITE SERIES MAIN HOSE V20E50.00.00</p> <p><b>IMPORTANT:</b> We made it possible to connect a smaller vacuum to a larger machine (e.g. V20 with a L25) however, doing so will yield less than satisfactory results. We strongly recommend using the same model group machine and vacuum, or a larger vacuum with a smaller machine (e.g. L25 with V25 or V32).</p>	 <p><b>L20 ELITE SERIES L20 X SERIES</b></p> <p><b>V20 SERIES</b> ELITE Part No: A71.00.00 X Part No: A70.00.00</p> <p><b>V25 SERIES</b> ELITE Part No: A71.00.00 X Part No: A71.00.00</p> <p><b>V32 SERIES</b> ELITE DIRECT CONNECTION X DIRECT CONNECTION</p> <p><b>V20 SERIES TO L25 ELITE</b> ELITE Part No: A71.00.00 X Part No: A70.00.00</p> <p><b>V20 SERIES TO L25 X</b> ELITE Part No: A71.00.00 X Part No: A70.00.00</p> <p><b>V25 SERIES TO L25 ELITE</b> ELITE Part No: A71.00.00 X Part No: A71.00.00</p> <p><b>V25 SERIES TO L25 X</b> ELITE Part No: A71.00.00 X Part No: A71.00.00</p> <p><b>V32 SERIES TO L25 ELITE</b> ELITE DIRECT CONNECTION X DIRECT CONNECTION</p> <p><b>V32 SERIES TO L25 X</b> ELITE DIRECT CONNECTION X DIRECT CONNECTION</p> <p><b>V25 SERIES TO L32 ELITE</b> ELITE Part No: A71.00.00 X Part No: A71.00.00</p> <p><b>V25 SERIES TO L32 X</b> ELITE Part No: A71.00.00 X Part No: A71.00.00</p> <p>LAVINA VACUUM MAIN HOSE (MH) V32 SERIES MAIN HOSE (both X and ELITE) V32CX-00.40.00 V25 SERIES MAIN HOSE (both X and ELITE) V25X-00.40.00 V20 X SERIES MAIN HOSE V20X-00.40.00 V20 ELITE SERIES MAIN HOSE V20E50.00.00</p> <p><b>IMPORTANT:</b> We made it possible to connect a smaller vacuum to a larger machine (e.g. V20 with a L25) however, doing so will yield less than satisfactory results. We strongly recommend using the same model group machine and vacuum, or a larger vacuum with a smaller machine (e.g. L25 with V25 or V32).</p>
<b>V20 SERIES</b>								
ELITE	Part No: A73.00.00							
X	Part No: 30316000116							
<p><b>V25 ELITE SERIES V25 X SERIES</b></p>  <p>Part No A73.00.00</p> 	<p><b>V20 SERIES TO L25 ELITE</b> ELITE Part No: A71.00.00 X Part No: A70.00.00</p> <p><b>V20 SERIES TO L25 X</b> ELITE Part No: A71.00.00 X Part No: A70.00.00</p> <p><b>V25 SERIES TO L25 ELITE</b> ELITE Part No: A71.00.00 X Part No: A71.00.00</p> <p><b>V25 SERIES TO L25 X</b> ELITE Part No: A71.00.00 X Part No: A71.00.00</p> <p><b>V32 SERIES TO L25 ELITE</b> ELITE DIRECT CONNECTION X DIRECT CONNECTION</p> <p><b>V32 SERIES TO L25 X</b> ELITE DIRECT CONNECTION X DIRECT CONNECTION</p> <p><b>V25 SERIES TO L32 ELITE</b> ELITE Part No: A71.00.00 X Part No: A71.00.00</p> <p><b>V25 SERIES TO L32 X</b> ELITE Part No: A71.00.00 X Part No: A71.00.00</p> <p>LAVINA VACUUM MAIN HOSE (MH) V32 SERIES MAIN HOSE (both X and ELITE) V32CX-00.40.00 V25 SERIES MAIN HOSE (both X and ELITE) V25X-00.40.00 V20 X SERIES MAIN HOSE V20X-00.40.00 V20 ELITE SERIES MAIN HOSE V20E50.00.00</p> <p><b>IMPORTANT:</b> We made it possible to connect a smaller vacuum to a larger machine (e.g. V20 with a L25) however, doing so will yield less than satisfactory results. We strongly recommend using the same model group machine and vacuum, or a larger vacuum with a smaller machine (e.g. L25 with V25 or V32).</p>	 <p><b>L25,30 ELITE SERIES L25,30 X SERIES</b></p> <p><b>V20 SERIES</b> ELITE Part No: A71.00.00 X Part No: A70.00.00</p> <p><b>V25 SERIES</b> ELITE Part No: A71.00.00 X Part No: A71.00.00</p> <p><b>V32 SERIES</b> ELITE DIRECT CONNECTION X DIRECT CONNECTION</p> <p><b>V20 SERIES TO L25 ELITE</b> ELITE Part No: A71.00.00 X Part No: A70.00.00</p> <p><b>V20 SERIES TO L25 X</b> ELITE Part No: A71.00.00 X Part No: A70.00.00</p> <p><b>V25 SERIES TO L25 ELITE</b> ELITE Part No: A71.00.00 X Part No: A71.00.00</p> <p><b>V25 SERIES TO L25 X</b> ELITE Part No: A71.00.00 X Part No: A71.00.00</p> <p><b>V32 SERIES TO L25 ELITE</b> ELITE DIRECT CONNECTION X DIRECT CONNECTION</p> <p><b>V32 SERIES TO L25 X</b> ELITE DIRECT CONNECTION X DIRECT CONNECTION</p> <p><b>V25 SERIES TO L32 ELITE</b> ELITE Part No: A71.00.00 X Part No: A71.00.00</p> <p><b>V25 SERIES TO L32 X</b> ELITE Part No: A71.00.00 X Part No: A71.00.00</p> <p>LAVINA VACUUM MAIN HOSE (MH) V32 SERIES MAIN HOSE (both X and ELITE) V32CX-00.40.00 V25 SERIES MAIN HOSE (both X and ELITE) V25X-00.40.00 V20 X SERIES MAIN HOSE V20X-00.40.00 V20 ELITE SERIES MAIN HOSE V20E50.00.00</p> <p><b>IMPORTANT:</b> We made it possible to connect a smaller vacuum to a larger machine (e.g. V20 with a L25) however, doing so will yield less than satisfactory results. We strongly recommend using the same model group machine and vacuum, or a larger vacuum with a smaller machine (e.g. L25 with V25 or V32).</p>						
<p><b>V32,38 ELITE SERIES V32,38 X SERIES</b></p>  <p>Series 32 and 38 of machines and vacuums don't need any adaptors as they all use 3" Camlock connections.</p>	<p><b>V25 SERIES TO L32 ELITE</b> ELITE Part No: A71.00.00 X Part No: A71.00.00</p> <p><b>V25 SERIES TO L32 X</b> ELITE Part No: A71.00.00 X Part No: A71.00.00</p> <p>LAVINA VACUUM MAIN HOSE (MH) V32 SERIES MAIN HOSE (both X and ELITE) V32CX-00.40.00 V25 SERIES MAIN HOSE (both X and ELITE) V25X-00.40.00 V20 X SERIES MAIN HOSE V20X-00.40.00 V20 ELITE SERIES MAIN HOSE V20E50.00.00</p> <p><b>IMPORTANT:</b> We made it possible to connect a smaller vacuum to a larger machine (e.g. V20 with a L25) however, doing so will yield less than satisfactory results. We strongly recommend using the same model group machine and vacuum, or a larger vacuum with a smaller machine (e.g. L25 with V25 or V32).</p>	 <p><b>L32,38 ELITE SERIES L32,38 X SERIES</b></p> <p><b>V20 SERIES</b> ELITE Part No: A71.00.00 X Part No: A70.00.00</p> <p><b>V25 SERIES</b> ELITE Part No: A71.00.00 X Part No: A71.00.00</p> <p><b>V32 SERIES</b> ELITE DIRECT CONNECTION X DIRECT CONNECTION</p> <p><b>V20 SERIES TO L25 ELITE</b> ELITE Part No: A71.00.00 X Part No: A70.00.00</p> <p><b>V20 SERIES TO L25 X</b> ELITE Part No: A71.00.00 X Part No: A70.00.00</p> <p><b>V25 SERIES TO L25 ELITE</b> ELITE Part No: A71.00.00 X Part No: A71.00.00</p> <p><b>V25 SERIES TO L25 X</b> ELITE Part No: A71.00.00 X Part No: A71.00.00</p> <p><b>V32 SERIES TO L25 ELITE</b> ELITE DIRECT CONNECTION X DIRECT CONNECTION</p> <p><b>V32 SERIES TO L25 X</b> ELITE DIRECT CONNECTION X DIRECT CONNECTION</p> <p><b>V25 SERIES TO L32 ELITE</b> ELITE Part No: A71.00.00 X Part No: A71.00.00</p> <p><b>V25 SERIES TO L32 X</b> ELITE Part No: A71.00.00 X Part No: A71.00.00</p> <p>LAVINA VACUUM MAIN HOSE (MH) V32 SERIES MAIN HOSE (both X and ELITE) V32CX-00.40.00 V25 SERIES MAIN HOSE (both X and ELITE) V25X-00.40.00 V20 X SERIES MAIN HOSE V20X-00.40.00 V20 ELITE SERIES MAIN HOSE V20E50.00.00</p> <p><b>IMPORTANT:</b> We made it possible to connect a smaller vacuum to a larger machine (e.g. V20 with a L25) however, doing so will yield less than satisfactory results. We strongly recommend using the same model group machine and vacuum, or a larger vacuum with a smaller machine (e.g. L25 with V25 or V32).</p>						

6.2 ACCESORIES



Figure 6.2.1

No.	Item No.	Description	Pcs.
1	V-S-L-1	Longopack bag	1

# 7. SPARE PARTS

## 7.1 GENERAL PARTS

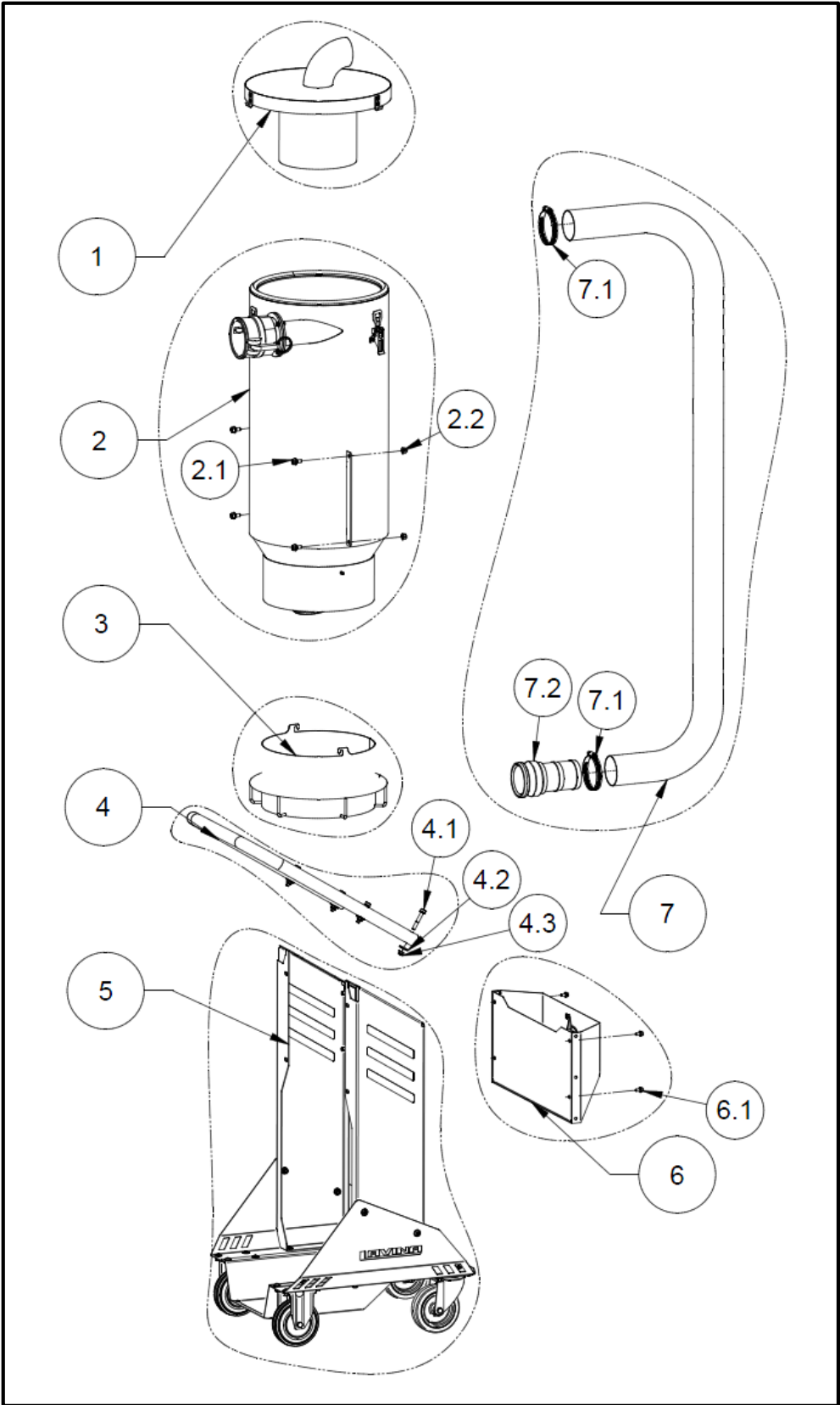


Figure 7.1

LAVINA® PSE GENERAL PARTS								
No.	Item No.	Description	Pcs.	No.	Item No.	Description	Pcs.	
1	PSE30.00.00	Head cover	1	5	PSE20.00.00	Carriage	1	
2	PSE10.00.00	Dust chamber	1	6	PSE40.00.00	Storage compartment		
	2.1	30301210072	Bolt M8x16 DIN 6921	4	6.1	30301210048	Bolt M6x12 DIN 6921	4
	2.2	30301240095	Nut M8 DIN 6923	4	7	PSE00.00.02	Hose	1
3	VE10.00.00	Longopac® bag holder	1	7.1	30308000409	Clamp	2	
4	V25GE00.00.05	Handle	1	7.2	30316000048	Aluminum Camlock Fitting E300-AL	1	
	4.1	30301210144	Bolt M8x50 DIN 6921	4				
	4.2	30301221019	Washer M8 DIN 9021	4				
	4.3	30301240106	Nut M8 DIN 985	4				

## 7.2 HEAD COVER

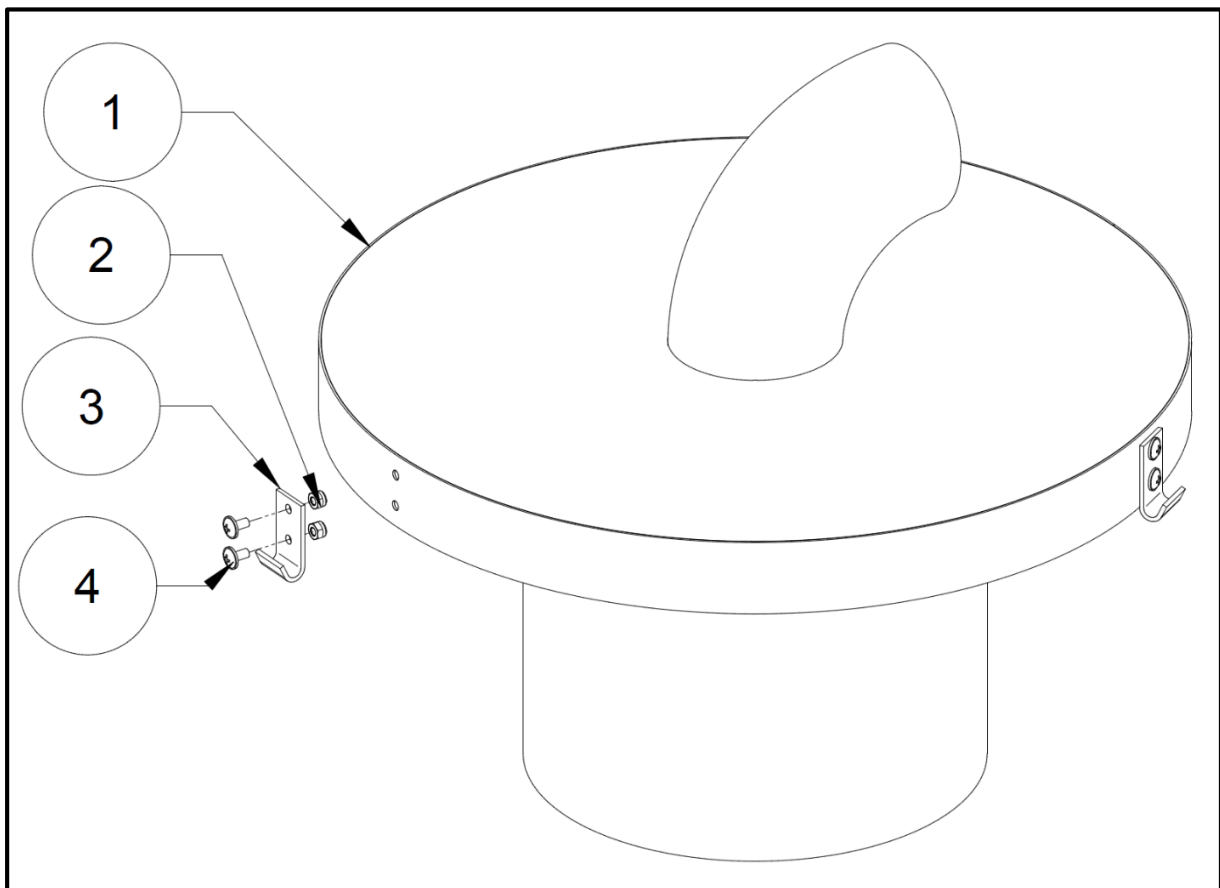
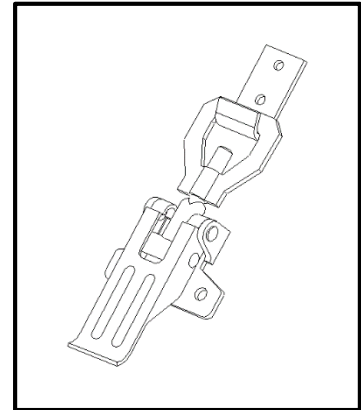


Figure 7.2

LAVINA® PSE HEAD COVER - PSE30.00.00							
No.	Item No.	Description	Pcs.	No.	Item No.	Description	Pcs.
1	PSE30.10.00	Head cover body	1	3	30329000040	Clamp set	3
2	30301240114	Nut M4 DIN 985	6	4	30301230097	Screw M4x8 DIN 967	6

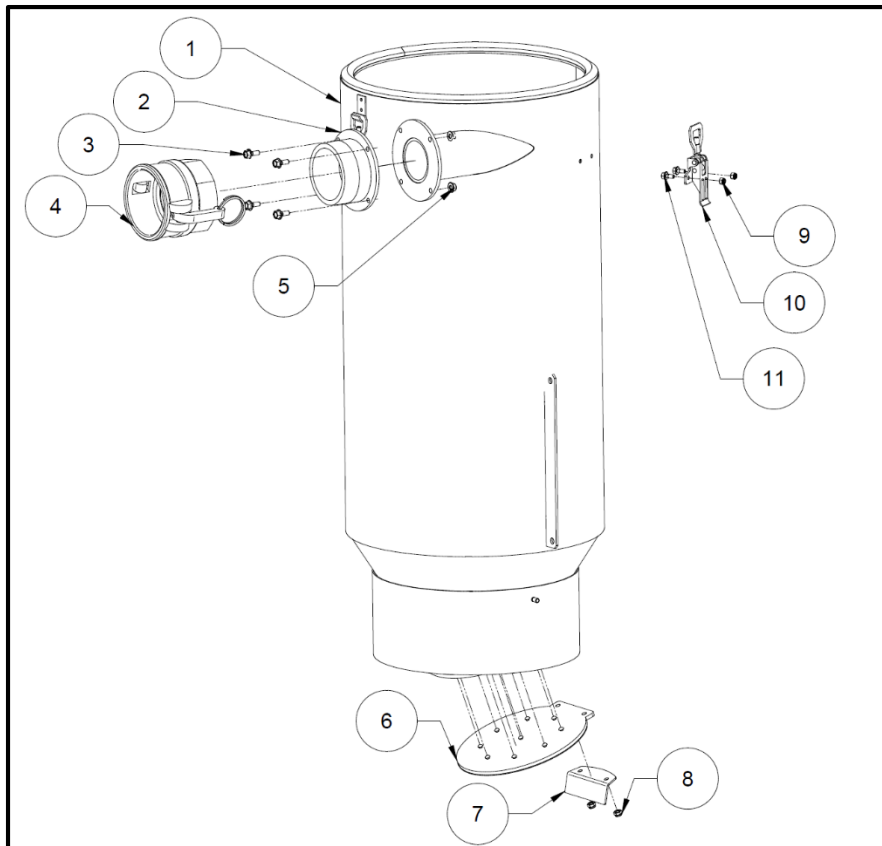
**Note:**

The clamp set (No 3) contains the clamp and the attaching plate and they can't be ordered separately (fig. 7.2.1).



**Figure 7.2.1**

**7.3 DUST CHAMBER**



**Figure 7.3**

<b>LAVINA® PSE DUST CHAMBER - PSE10.00.00</b>								
<b>No.</b>	<b>Item No.</b>	<b>Description</b>	<b>Pcs.</b>	<b>No.</b>	<b>Item No.</b>	<b>Description</b>	<b>Pcs.</b>	
1	PSE10.10.00-K	Dust chamber body kit	1	6	V25GE14.00.00	Flap	1	
	1.1	PSE10.10.00	Dust chamber body	1	7	V25GE10.00.02	Flap restrictive plate	1
	1.2	PSE10.00.01	Seal	1	8	30301240103	Nut M6 DIN 985	2
2	V32GX-13.00.00	Camlock D300 Flange	1	9	30301240110	Nut M5 DIN 982	6	
3	30301210051	Bolt M6x16 DIN 6921	4	10	30329000040	Clamp set	3	
4	D300-AL	Aluminum Camlock Fitting D300-AL	1	11	30301210030	Bolt M5x12 DIN 6921	6	
5	30301240098	Nut M6 DIN 6923	4					

**The note from 7.2 applies here as well.**

7.4 CARRIAGE

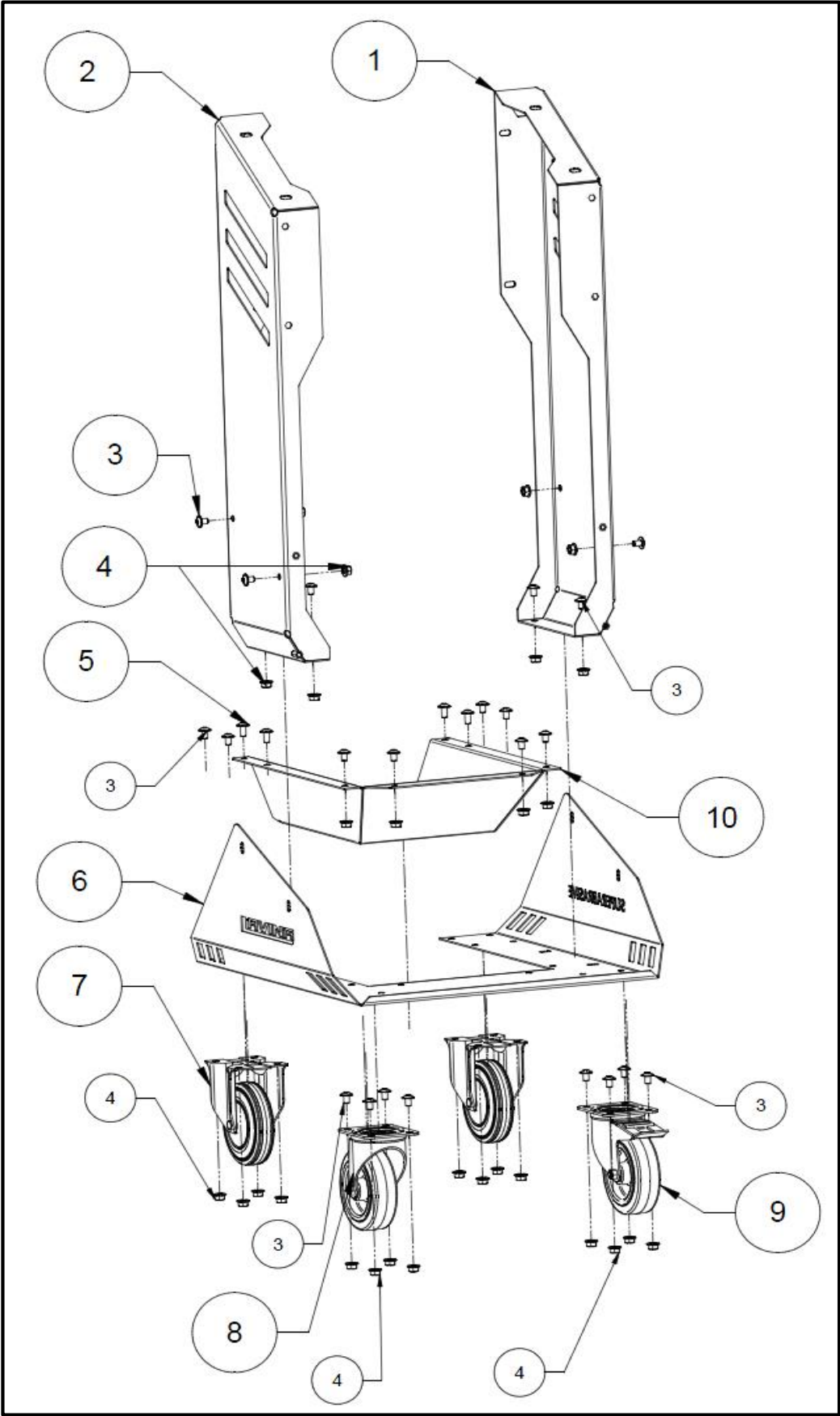


Figure 7.4

<b>LAVINA® PSE CARRIAGE - PSE20.00.00</b>							
<b>No.</b>	<b>Item No.</b>	<b>Description</b>	<b>Pcs.</b>	<b>No.</b>	<b>Item No.</b>	<b>Description</b>	<b>Pcs.</b>
1	PSE20.10.00	Left chamber holder	1	6	PSE20.00.03	PSE base plate	1
2	PSE20.20.00	Right chamber holder	1	7	30312000064	Wheel	2
3	30301230129	Screw M8x12 ISO 7380F	24	8		Look at pos. 9	
4	30301240095	Nut M8 DIN 6923	28	9	30312000046	Caster locking wheel	2
5	30301230209	Screw M8x16 ISO 7380F	4	10	PSE20.00.04	PSE bottom	1

## 8. DISPOSAL

If your machine after time is not usable or needs to be replaced, send the machine back to Superabrasive or a local distributor, where a professional disposal complying with the environment laws and directives is guaranteed.

## 9. MANUFACTURER'S CONTACTRS

If you need to contact Superabrasive Inc. with technical support questions, below is the contact information.

Address: 9411 Jackson Trail Road, Hoshton GA 30548, USA

Email: [info@superabrasive.us](mailto:info@superabrasive.us)

Tel.: 706 658 1122

Fax: 706 658 0357

Website: [www.superabrasive.com](http://www.superabrasive.com)